

# BREEZE

PLYMOUTH  
BREEZE  
1996





## IT'S A BREEZE

Now you can enjoy value without sacrificing comfort, or without giving up performance. True five-passenger room and comfort with a long list of standard features like air conditioning, dual front air bags,\* AM/FM stereo cassette, plus spirited performance with your choice of two state-of-the-art multi-valve engines.

Plymouth Breeze

\*Always wear your seat belt.

## A BREATH OF FRESH AIR

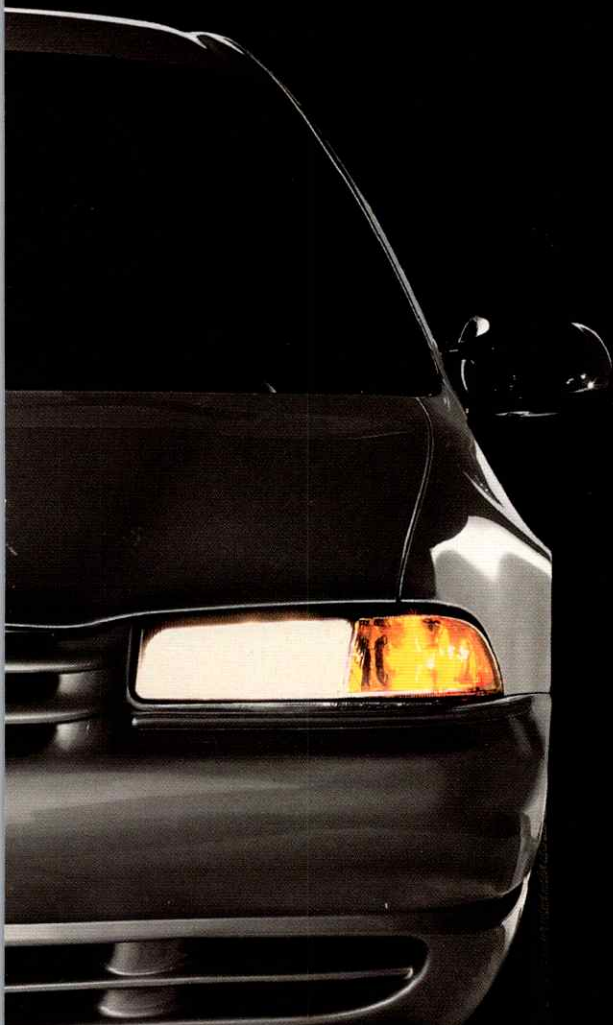
Shake up the past and  
blow out the cobwebs.

Breeze is here!

It's a whole new Plymouth.

A deft-handling car with  
a fun-loving heart and  
growing room for the  
young family. You don't  
have to give up anything  
to enjoy the wide-open  
space of the friendly and  
affordable new Breeze.

Loosen up and enjoy a  
fresh new Breeze on the  
automotive landscape.

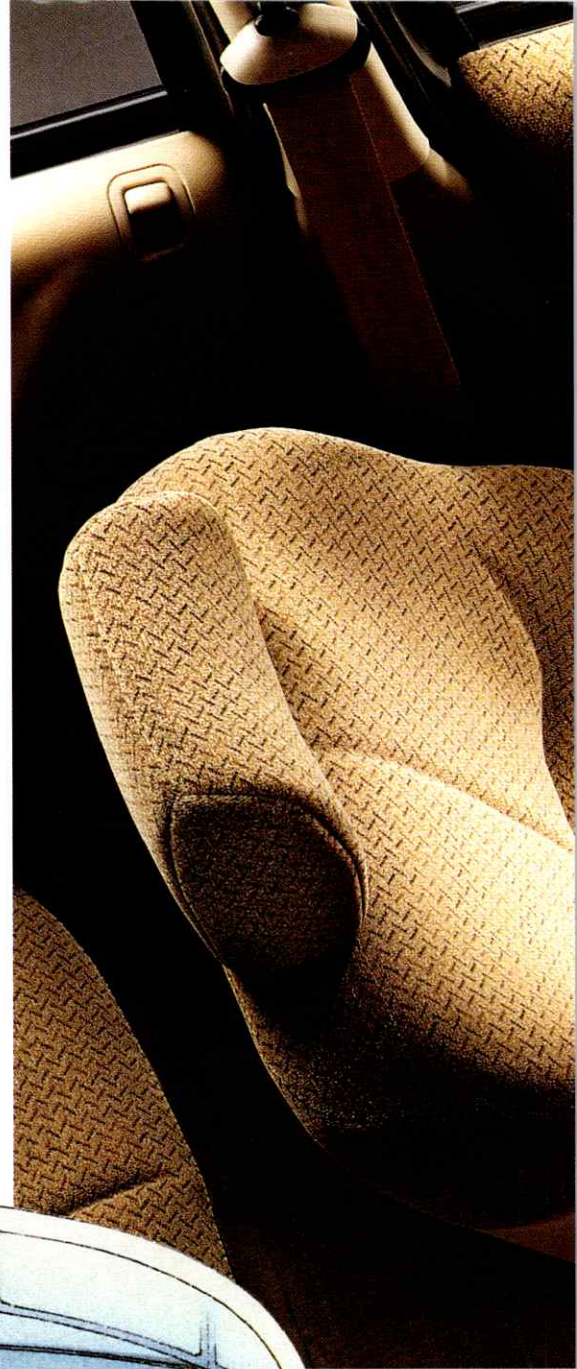


ABOUT THIS CATALOGUE: Since the time of printing, some of this information may have been updated. Ask your Dealer for details before ordering. Some of the equipment shown or described throughout this catalogue is available at extra cost.

# LIVING ROOM

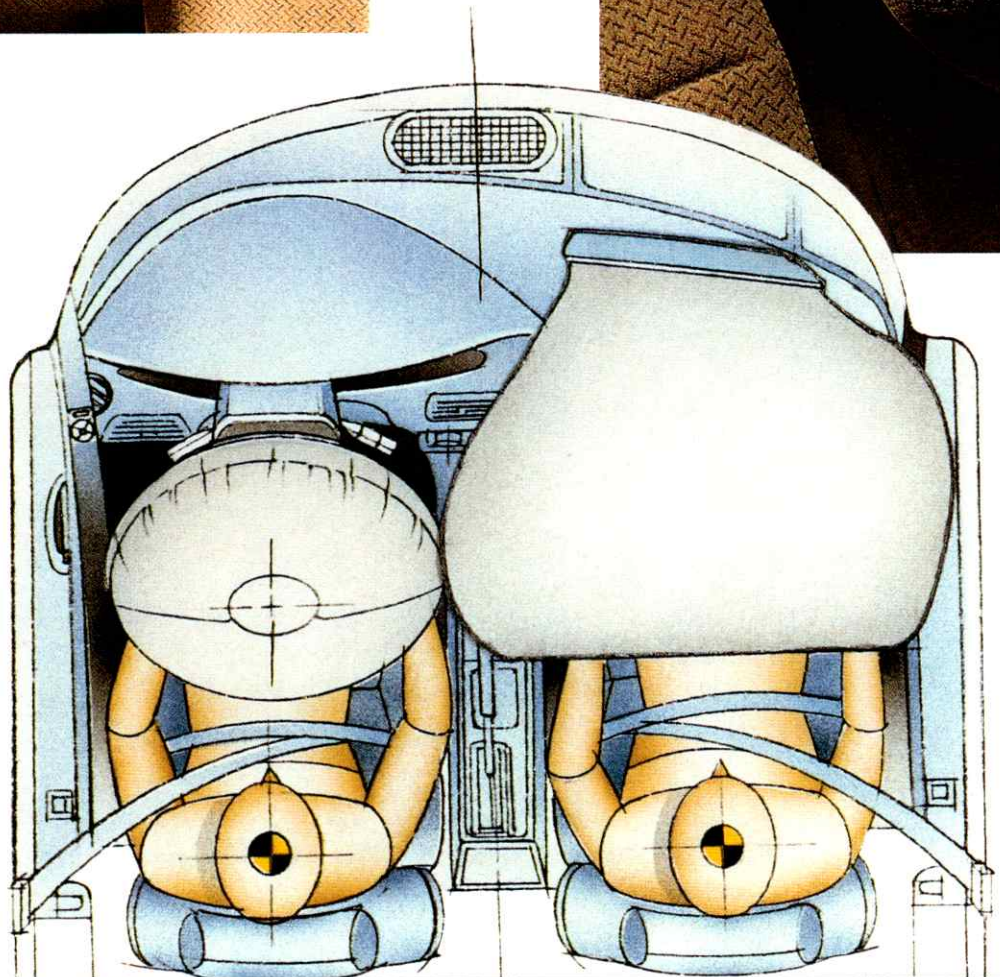
Don't cramp your style – enjoy five-passenger room and comfort with the spacious new Breeze. The smooth, flowing Cab-Forward design and an exceptionally

long wheelbase of 2745 millimetres (108 in.) increase comfort room with a cabin that's one of the largest in its class... perfect for young families with growing needs.



The folding rear seatback can be released from inside the car or inside the trunk and folds flat to accommodate longer items.<sup>†</sup> It also features a key lock to safeguard trunk cargo.

<sup>†</sup>With optional Built-In Child Seat the rear seat is fixed and does not fold down.

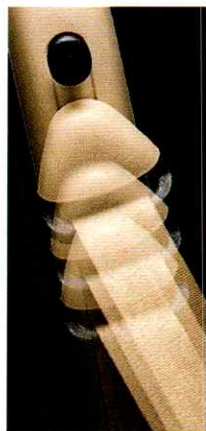




## SAFETY FEATURES

The new Breeze means enjoyment and peace of mind. Standard driver and front passenger side air bags\* help protect you instantly

\*Always wear your seat belt.



Height-adjustable front shoulder belt.

in the event of a frontal impact above approximately 23 kilometres per hour (14 mph). Height-adjustable front shoulder belts offer positions for varying shoulder heights. An optional Built-In Child Safety Seat folds out from the rear seat to

accommodate a child from 9 to 30 kilograms (22 to 66 pounds),<sup>†</sup> and rear doors are equipped with child-protection locks.



Optional Built-In Child Safety Seat.

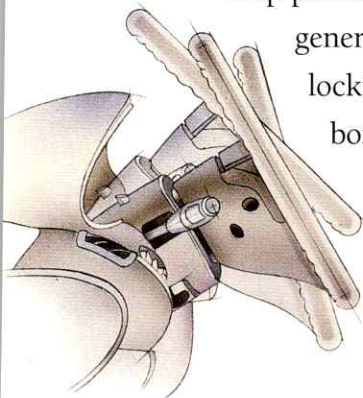
<sup>†</sup> Requires fixed rear seatback.



## SURROUNDING COMFORT

Adjust the standard tilt steering column for your personal driving posture. Thoughtful touches include a remote deck lid release, front door map pockets, a

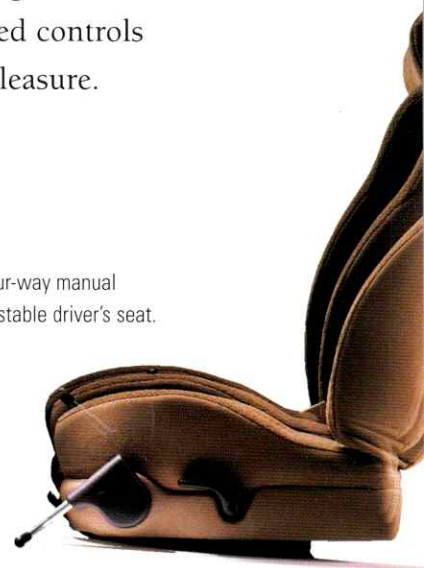
generously deep locking glove box, and large exterior mirrors.



Breeze has the optional convenience of power-assisted outside mirrors and speed control.

An arched dashboard with large analogue gauges and conveniently placed controls makes driving a pleasure.

Optional four-way manual height-adjustable driver's seat.





## EASY CHAIRS

Breeze front passengers will feel right at home in comfortable, supportive seating provided by cloth low-back bucket seats with adjustable headrests. A centre floor console has a storage bin, coin holder, and two very handy integral cup holders.



## AIR FOR THE BREEZE

To make sure you're cool in summer, environmentally friendly non-CFC air conditioning is standard on every Breeze. Vents direct cool air through the rear of the centre console so back seat passengers also stay cool. And, of course, in winter Breeze keeps everybody front and rear snug and warm.

## MUSIC IN THE AIR

Whether your tastes run to rock or Bach, Breeze will keep you humming with a standard AM/FM stereo radio with cassette, seek feature and an integral digital clock. And if you want tunes to the max, a premium cassette or CD sound system is optional.

## WRITTEN ON THE WIND

If you're looking for a roomy, efficient automobile to complement your family's active lifestyle... a youthfully fun-to-drive car that's absolutely affordable... and with a design for rear seat

roominess that's been winning praise from leading automobile magazines... where do you find all this? The answer is written on the wind. The new Plymouth Breeze.

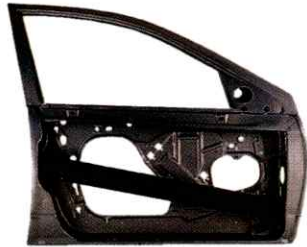


# HANDLE YOURSELF WITH OUR CARE

## A WORD TO THE WISE

The reinforced body structure of Breeze includes a structural cross-car beam of steel to help dissipate side-impact energy.

The front doors each have a side-guard door beam of high-strength steel. The rear door structure includes a second beam, child-protection locks, and a structural interlock with a second door latch strikerpost. And Breeze has energy-absorbing material inside, as well.



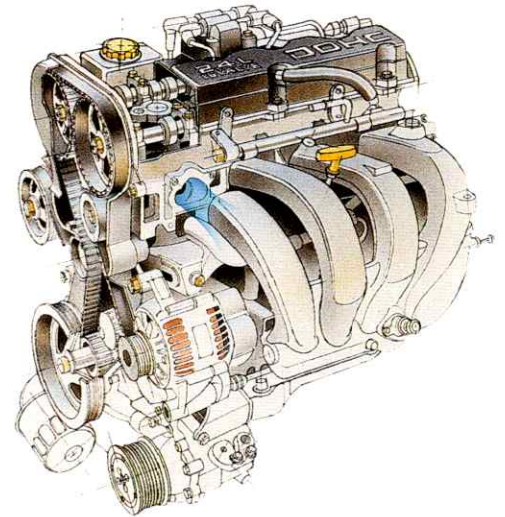
and compound curved sheet metal help reduce chassis flex. That means handling that's crisp and tight.

The advanced four-wheel independent suspension is a superior design that soaks up road shock and bumps and helps make handling precise.

## 16 VALVES, NO WAITING

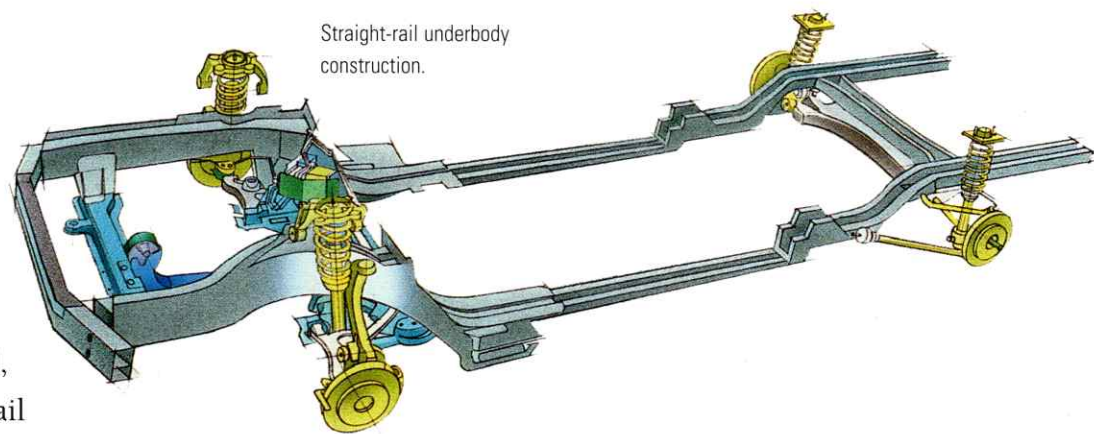
Breeze offers a choice of two responsive multi-valve engines. The standard 2.0-litre SOHC 16-valve four-cylinder engine is mated to a standard

smooth-shifting five-speed manual or optional four-speed automatic overdrive transaxle. Optionally available is the extra kick of a 2.4-litre DOHC 16-valve engine with a four-speed automatic transaxle.



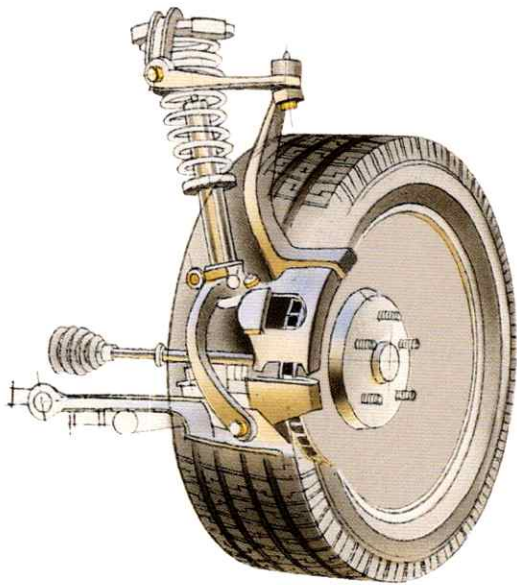
## SOLID CONTROL

You'll find Breeze refreshingly manoeuvrable with standard power-assisted rack-and-pinion steering. Rigid, continuous straight-rail underbody construction, computer-analysed reinforced stress points,



## STOP 'N' GO

In today's stop 'n' go traffic you need brakes you can rely on... again and again. Standard power-assisted sliding caliper front disc/rear drum brakes on Breeze offer stop-now ability and fade resistance, plus long lining life. For more assurance, get optional anti-lock brakes to help you maintain stability on any road surface.



Power-assisted front disc brakes.



Roof/ski rack holds up to four pairs of skis and poles. It attaches easily to the optional (and removable) roof rack and locks for security.

## ★ CHRYSLER FIVE STAR SERVICE ★★★★★

There's one commitment uppermost in our minds and that's to keep your new Plymouth Breeze performing at its optimum. That's why we've taken extra care to equip our new vehicles with state-of-the-art diagnostics, and to provide our dealers with the training their service departments need to use them for their maximum effectiveness. Service technicians specially trained

## Mopar ACCESSORIES *Your FIRST choice*

Make Genuine Mopar Accessories your first choice for Plymouth Breeze. They're designed specifically for Chrysler vehicles and approved by Chrysler engineers. See your dealer for the complete range of Mopar Accessories including:

- Bike carriers
- Ski racks
- EVS II security system
- Trunk mounted compact disc changer
- Front end covers.

in the maintenance and repair of your new Plymouth Breeze, and the sophisticated equipment today's cars and trucks demand, will help ensure that no one will be able to serve you better than your Chrysler Canada dealership.



The Mopar Diagnostic Service computer taps into your car's electronic control system to find the problem and get you back on the road fast.



Bike Rack accommodates one bike of any size. Two of these optional units can be installed on the optional, removable steel-construction roof rack.



EVS II security system is completely automatic and comes with two transmitters, starter interrupt, shock sensor, remote arm/disarm, and door unlock functions (requires optional power door locks).

# BREEZE SELECTED STANDARD AND OPTIONAL FEATURES

	Breeze
Steering Column – Tilt	S
Steering, Rack and Pinion – Power-assisted	S
Steering Wheel – Three-spoke, with integral air bag*	S
Stone Guards – Front fender	S
Stoplight – Supplemental centre high-mounted (CHMSL)	S
Sun Visors – Cloth: driver and passenger with covered vanity mirrors	S
Sunroof – Power	O
Suspension – 4-wheel independent touring; front short-long arm, with high upper control arm; double ball joint, stabilizer bar; Rear: independent short-long arm, includes stabilizer bar	S
Tires – P195/70R14 SBR, BSW, A/S	S
Spare, compact	S
Spare, conventional (replaces compact spare)	O
Transaxle – Five-speed manual (NA with 2.4L engine)	S
Four-speed electronically controlled automatic with lockup torque converter	O
Wheels – 14-inch steel with full wheel covers	S
Windshield Wipers – Speed-sensitive, variable intermittent wipe feature with hood-mounted washers	S
Windows – Power (with one-touch-down for driver's window)	O

S – Standard O – Optional NA – Not Available \* Always wear your seat belt.  
BSW – Black Sidewall SBR – Steel-Belted Radial A/S – All-Season tread

(1) CD system does not include cassette tape player.

(2) Standard with automatic transmission only; not available with manual transmission.

## EXTERIOR COLOURS



Candy Apple Red Clear Coat



Forest Green Pearl Coat



Light Iris Pearl Coat



Orchid Pearl Coat



Medium Fern Green Pearl Coat



Light Silverfern Satin Glow



Light Gold Satin Glow



Dark Rosewood Pearl Coat



Black Clear Coat



Stone White Clear Coat

## ENGINE SPECIFICATIONS

	2.0-Litre 4-cyl.	2.4-Litre 4-cyl.
Valve/Camshaft	SOHC 16-valve	DOHC 16-valve
Fuel Delivery	SMPI	SMPI
Net Power – kW (bhp) @ rpm	98 (132) @ 6000	112 (150) @ 5200
Net Torque – N-m (lb-ft) @ rpm	175 (129) @ 5000	226 (167) @ 4000
Bore and Stroke mm (in.)	87 (3.44) 82 (3.24)	87 (3.44) 101 (3.98)
SMPI – Sequential Multi-Point Fuel Injection DOHC – Dual Overhead Camshaft	SOHC – Single Overhead Camshaft	

## ENGINE AND TRANSMISSION AVAILABILITY

	2.0-Litre 4-cyl.	2.4-Litre 4-cyl.
Standard	5-speed Manual	NA
Optional	4-speed Automatic	4-speed Automatic

## EXTERIOR DIMENSIONS, WEIGHTS AND CAPACITIES

	mm	in.
Wheelbase	2745	108.0
Overall length	4725	186.0
Overall width at body	1805	71.0
Overall height	1375	54.1
Track – front/rear	1529	60.2
Turning diameter – curb to curb – m (ft.)	11.3 (37.0)	
Curb Weight – kg (lb.)	1320 (2911)	
Maximum Towing Capacity – kg (lb.) <sup>(1)</sup>	454 (1000)	

<sup>(1)</sup>Restrictions may apply – see Operator's manual.

## INTERIOR DIMENSIONS

	mm	in.
Front – Headroom	970	38.1
– Legroom (max.)	1075	42.3
– Shoulder room	1400	55.2
– Hiproom	1340	52.8
Rear – Headroom	935	36.8
– Legroom (min.)	970	38.1
– Shoulder room	1390	54.7
– Hiproom	1340	52.7
Usable luggage space – litres (cu. ft.)	445 (15.7)	

Specifications, descriptions and illustrative material contained herein are based on authorized information. Although specifications, descriptions and illustrations were believed to be correct at the time this publication was approved for printing, accuracy cannot be guaranteed. Chrysler Canada Ltd. reserves the right to discontinue models or options at any time or change specifications and materials, equipment or design without notice and without incurring obligation.

Some equipment may not be exactly as illustrated in this publication. Some of the equipment listed, described, or illustrated herein may not be standard, and may be available only at extra cost, as factory-installed or dealer-installed; items described as "available" may be standard on some models and optional, or not available, on others. Equipment referred to as available or optional may be at extra cost. Some options are required in combination with other options. For the price of the model with the equipment you desire or verification of specifications and equipment availability contained herein, see your Chrysler Canada Ltd. Dealer.

## BREEZE SELECTED STANDARD AND OPTIONAL FEATURES

	Breeze		Breeze
Air Bag* System – Driver's side – Integral with steering wheel; passenger's side – located in the instrument panel	S	Headlights, Dual Halogen – Aerodynamic with aimable reflectors	S
Air Conditioning	S	Heater and Defroster	S
Alternator – 90-amp	S	Horn – Dual note	S
Antenna – Fixed; rear, black	S	Illuminated Entry (see Security Package)	0
Battery – 510-amp	S	Instrument Cluster – Analogue: Includes 240 km/h speedometer, tachometer, "one-million" kilometre odometer, trip odometer; gauges for fuel level, engine coolant temperature; warning lights for brakes, low oil pressure, engine coolant temperature, check engine, charging system, low fuel, seat belt, air bag	S
Brakes – Power, front disc/rear drum Power front disc/rear drum with anti-lock brakes (ABS)	S 0	Keys – Double-bitted with valet-park-security second key	S
Carpeting – Passenger compartment, trunk	S	Keyless Entry (see Security Package)	0
Child-Protection Rear Door Locks	S	Lights – Ignition switch, rear dome/courtesy, glove box	S
Child Seat – Built into centre of rear seat (deletes fold-down seatback feature)	0	Map Pockets – Front doors	S
Child-Seat Anchorage Provision	S	Mirrors – Interior: Rearview day/night; dual visor vanity, covered (illuminated with optional sunroof) Exterior – Dual manual remote control Dual power remote control, heated	S S 0
Clock, Digital – Integral with all radios	S	Mouldings – Bodyside, wide, body colour with insert	S
Coat Hooks – Rear (2)	S	Multifunction Control Lever – Mounted on steering column, left stalk includes controls for turn signals, headlight dimmer, fog lamps (when applicable) and day/night flash-to-pass feature; right stalk for intermittent wiper/washer	S
Console – Forward with storage bin and two cup holders; Floor console with rear storage tray, coin holder, transmission shift selector and single cup/juice holder	S	Power Assists – Brakes Door locks Mirrors – Heated Steering – Rack and pinion Windows	S 0 0 S 0
Corrosion Protection – Protective coating on body panels and extensive use of galvanized steel	S	Radios – AM/FM stereo cassette with digital clock Premium AM/FM stereo cassette, with digital clock Premium AM/FM stereo with CD player, digital clock <sup>(1)</sup>	S 0 0
Cup Holders – Front (2): integral with centre console; rear (1)	S	Remote Releases – Hood and deck lid	S
Daytime Running Lights	S	Seat Belts – 3-point lap/shoulder belts at outboard positions, front (2), rear (2), with adjustable turning loops on front shoulder belts to optimize comfort for persons of differing heights; lap belt at centre position, rear	S
Defroster – Rear window, electric	S	Seats – Front: cloth bucket, reclining with adjustable head restraints Rear – Bench – Fold-down seatback (except with optional child seat). Includes seatback release operable from inside car or from trunk Built-In Child Seat with fixed rear bench seat (deletes fold-down seatback feature)	S S 0
Demisters – Front side windows	S	Security Package, Personal – Includes remote keyless entry, illuminated entry, panic alarm	0
Door Beams – Side intrusion	S	Smoker's Package (Cigar lighter and ashtray)	0
Door Handles – Flush mounted, black	S	Speed Control	S <sup>(2)</sup>
Door Locks – Child-protection rear locks Power	S 0		
Door Trim Panels – Front and rear include armrest, fabric inserts, front door map pocket and speaker	S		
Ducts – Rear seat air conditioning/heat ducts	S		
Engines – 2.0-litre SOHC 16-valve 4-cylinder SMPI 2.4-litre DOHC 16-valve 4-cylinder SMPI	S 0		
Engine Block Heater and Battery Heater	S		
Exhaust System – Stainless steel	S		
Fascias – Front and rear body colour with character line	S		
Floor Mats – Front	S		
Fuel Tank – 60 litres (13.3 Imp. gal.); tethered filler cap	S		
Glass, Tinted – All windows including solar control windshield	S		
Glove Box – Locking with light	S		

## CustomerOne

Innovative engineering. Advanced design. Quality manufacturing.

All are embodied in every passenger car, minivan and truck we make. But to you, the buyer or lessee, our efforts find focus in just one place: the dealership.

To ensure that your experience will be a satisfactory one, Chrysler Canada has joined with our dealers in an extensive educational initiative.

It's called Customer One and it establishes one unbreakable rule: Treating every customer with honesty and respect. Customer courtesy is not a goal – it is an imperative. Product knowledge is another essential, imparted to dealership personnel through training materials and hands-on driving sessions. And service personnel too are involved in the process, for their understanding of an owner's needs must go far beyond the purely technical.

Every aspect of Customer One training is aimed at making your needs as a customer the first priority of each employee at every Chrysler Canada dealership.



### Warranty

Warranty coverage is an important part of the ownership experience. Chrysler Canada's 1996 warranty is designed to be simple and straightforward, while providing protection that meets the needs of Canadian drivers. It's this simple – almost everything is covered for 3 years or 60,000 km,\* except for tires and a few wear items. All body sheet metal panels have rust-through coverage for 3 years, regardless of distance driven, and outer body panels are covered for 7 years or 160,000 km.\* In addition, Chrysler Canada will provide a 24-hour no-charge roadside assistance plan for 3 years or 60,000 km.\* See your dealer for details.

*\*Whichever occurs first.*

### Corrosion Protection

The Breeze corrosion protection and paint process is backed by the Chrysler 7/160 Anticorrosion Limited Warranty. Galvanized panels are treated with phosphate, then submerged in an electrocoat bath of zinc-rich primer/surfacer, followed by an antichip coating for the lower body sides and full body antichip coat. Two high-lustre colour coats are applied and are protected by two clear coats that provide resistance to abrasion, weathering, and chemicals.

### Chrysler Service Contracts

Optional Chrysler service contracts can provide owners with additional peace of mind. They are available in a variety of time and distance combinations to meet your particular ownership needs.

### Financing Assistance

Chrysler Credit offers qualified buyers a wide variety of new vehicle purchase financing plans, including Retail Financing, Gold Key and College/University Graduate Plans.

### The Leasing Alternative

It pays to consider the advantages of leasing. Your dealer will be pleased to discuss our wide range of available leasing options – and the benefits you may enjoy through this increasingly popular alternative to buying. Ask about Gold Key Lease.

### Chrysler Five Star Service

Your dealer has all the factory-trained technicians and the specialized equipment needed to offer you the best possible maintenance and repair services for your new vehicle.

### Mopar Parts

When replacement parts are needed, be sure to specify genuine Mopar parts – the first choice of Chrysler engineers.

### Mopar Accessories

To enhance the style, comfort, and function of your new vehicle, make Genuine Mopar Accessories your first choice. Designed specifically to fit right and work right for your model, they will be covered by your vehicle warranty when installed before you take delivery.

### Physically Challenged Assistance Programme

A programme which provides assistance towards the cost of purchase and installation of adaptive driving aids or passenger equipment on new 1996 vehicles. For further information, contact your dealer.



For more information contact your dealer or call:

**1-800-361-3700**



THIS CATALOGUE CONTAINS A MINIMUM OF 10% POST CONSUMER WASTE

PRINTED IN CANADA 520-6 C-374E